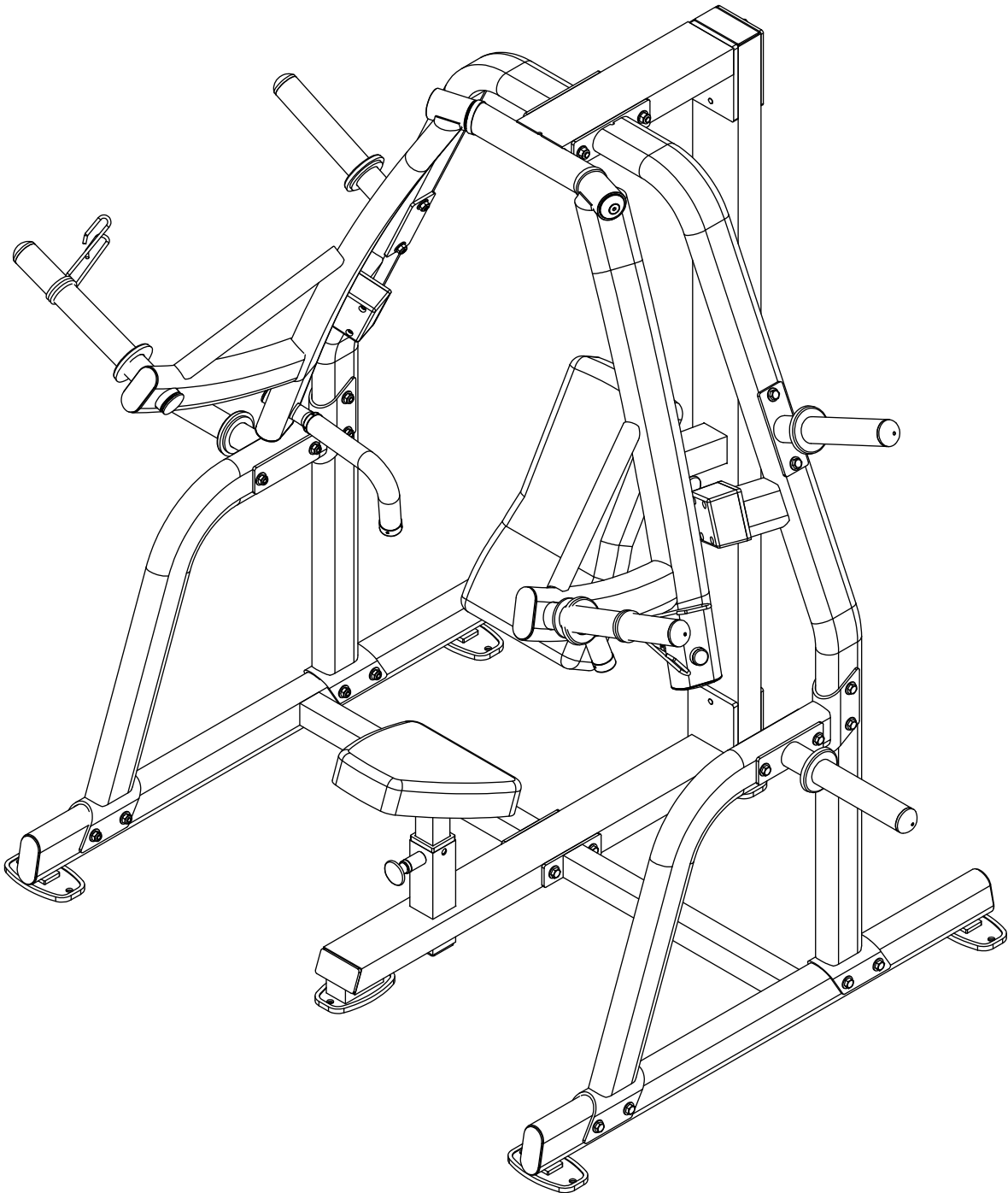




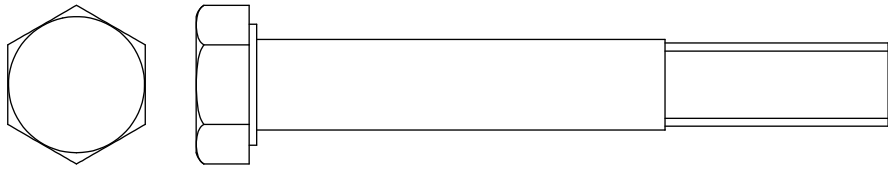
*PSDP.1*



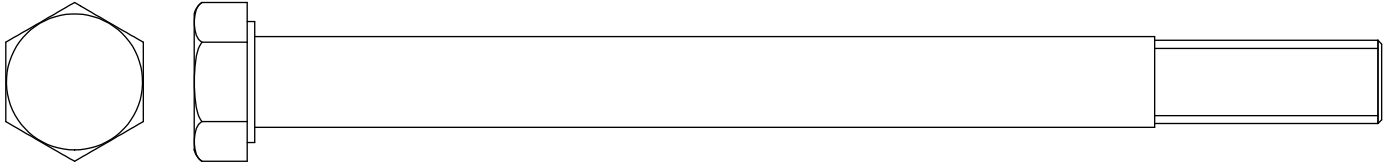
Assembly & Instructions  
**OWNER'S & MANUAL**

**PSDP.1 HARDWARE**  
(shown in actual size)

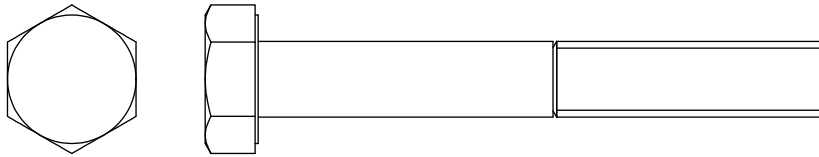
A1. M12X85L HEX HEAD SCREW...4PCS



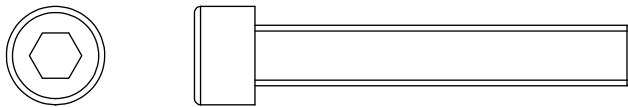
A2. M12X150L HEX HEAD SCREW...2PCS



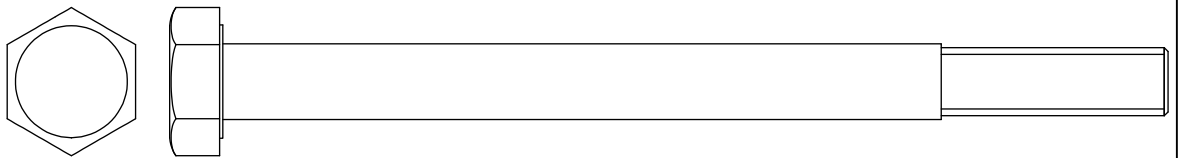
A3. M10X75L HEX HEAD SCREW...20PCS



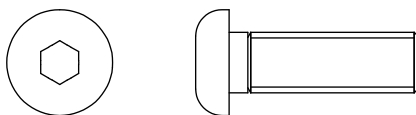
A4. M8X55L SOCKET SCREW...8PCS



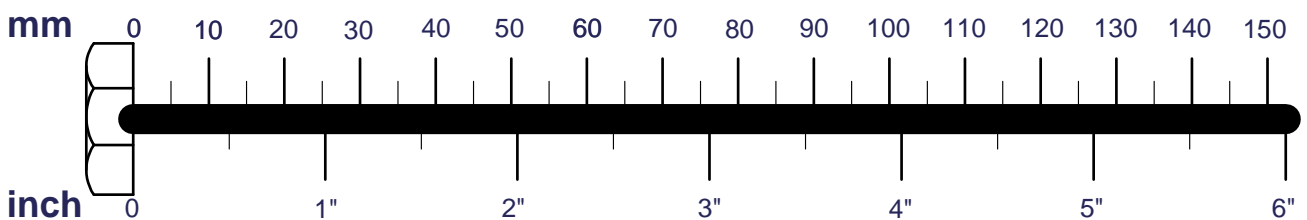
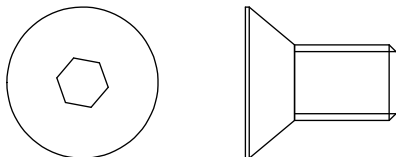
A5. M10X125L HEX HEAD SCREW...2PCS



A6. M8X25L ALLEN SCREW ...7PCS

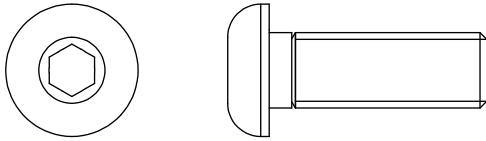


A7.M10X20 TAPER SCREW...2PCS



**PSDP.1 HARDWARE**  
(shown in actual size)

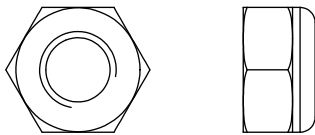
**A8. M10X30L ALLEN SCREW ...2PCS(Pre-installed)**



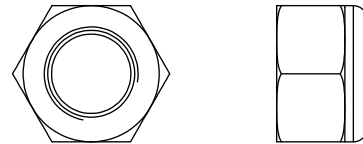
**A9. M5X5L GRUB SCREW ...8PCS(Pre-installed)**



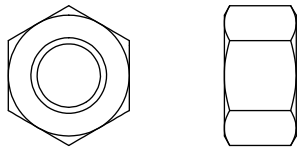
**B1.M10 NYLON LOCK NUT...22PCS**



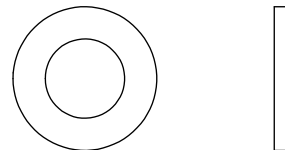
**B2.M12 NYLON LOCK NUT...2PCS**



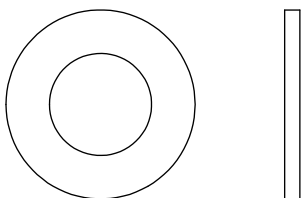
**B3.M10 LOCK NUT...2PCS(Pre-installed)**



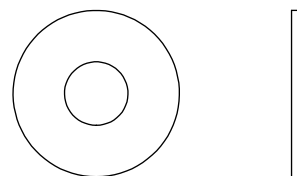
**C1.M10 WASHER (Ø19)...44PCS**



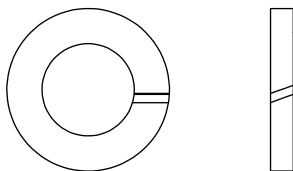
**C2.M12 WASHER (Ø25)...8PCS**



**C3.M8 WASHER (Ø22)...7PCS**



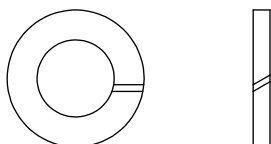
**C4.M12 SPRING WASHER ...4PCS**



**C5.M8 SPRING WASHER ...7PCS**



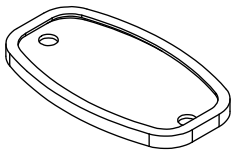
**C6.M10 SPRING WASHER ...2PCS**



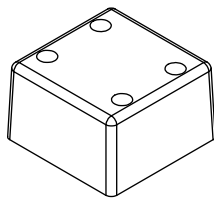
**PSDP.1 HARDWARE**  
(shown in actual size)

D1.Rubber Insert (9310-076).....	[5PCS]
D2.Block Rubber (9310-131).....	[2PCS]
D3.Nylon Bushing (9211-047).....	[2PCS]
D4.1/2"X38 Pop Pin (8250-065G) pre-installed.....	[2PCS]
D5.End Closure (8130-131).....	[2PCS]
D6.Rubber Dount (9310-016).....	[6PCS]
D7.Ø50 End Cap (9211-020).....	[2PCS]
D8.Pinch Cock (OC-06).....	[2PCS]
D9.50X100 End Cap (9211-193).....	[2PCS]
D10.Bearing (8510-037) pre-installed.....	[4PCS]
D11.Chrone Collar (8130-287) pre-installed.....	[2PCS]
D12.Chrone Collar (8890-048) pre-installed.....	[2PCS]
D13.Impregnated With Handle (9162-208) pre-installed.	[2PCS]
D14.End Cap (9211-169).....	[2PCS]

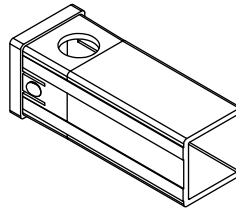
D1



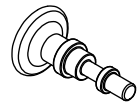
D2



D3



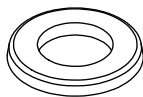
D4



D5



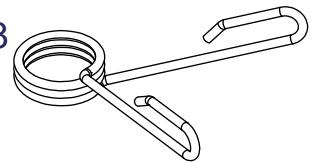
D6



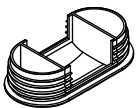
D7



D8



D9



D10



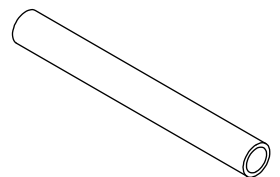
D11



D12



D13

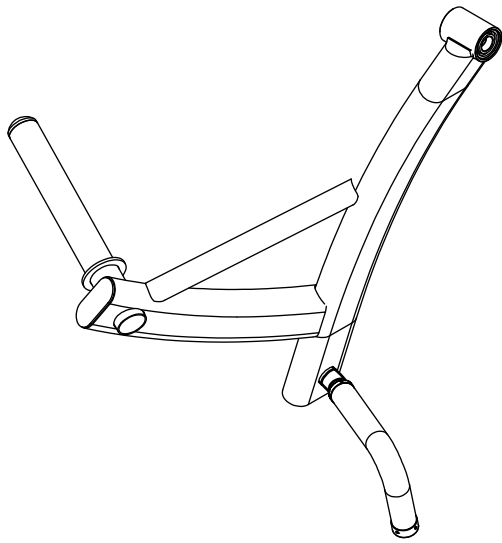


D14

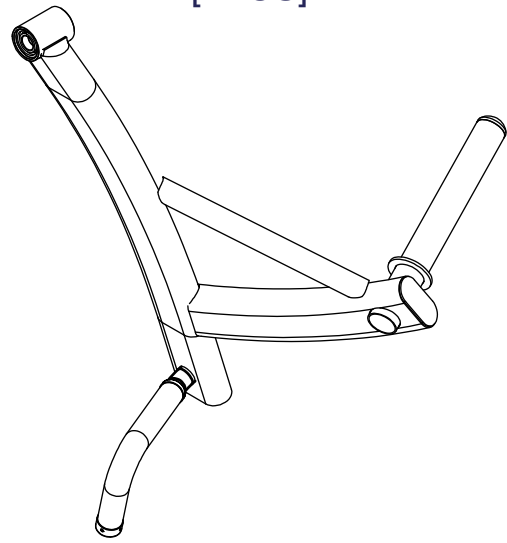


**PSDP.1 HARDWARE**  
(shown in actual size)

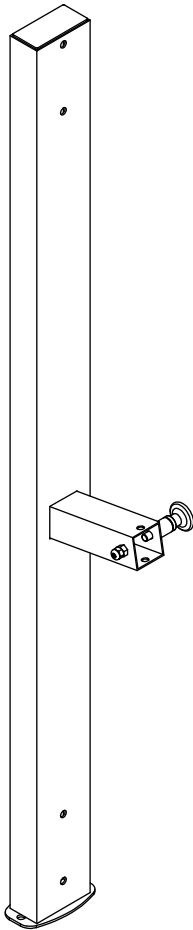
A[1PCS]



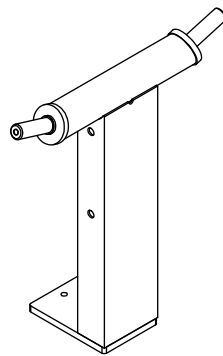
B[1PCS]



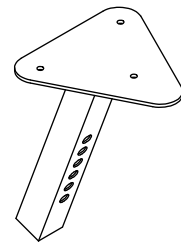
C[1PCS]



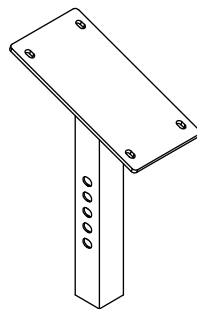
D[1PCS]



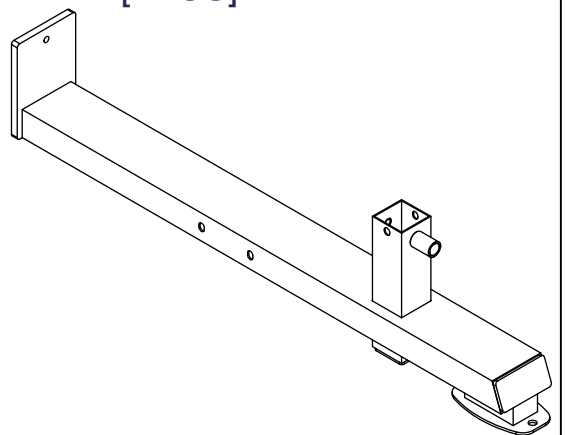
E[1PCS]



G[1PCS]

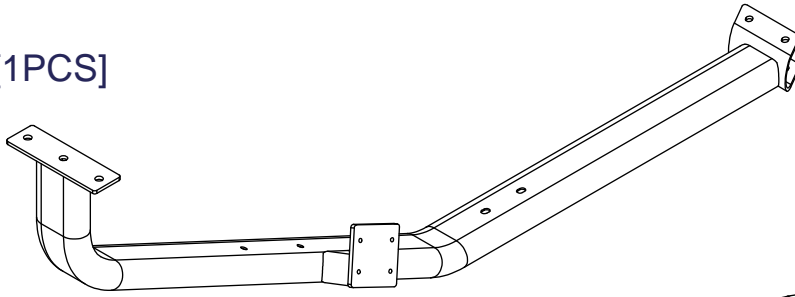


H[1PCS]

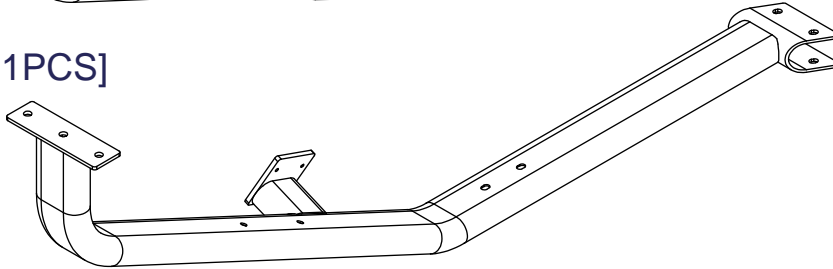


**PSDP.1 HARDWARE**  
(shown in actual size)

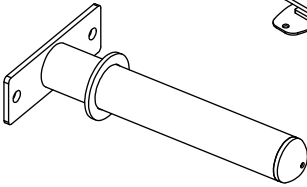
**K[1PCS]**



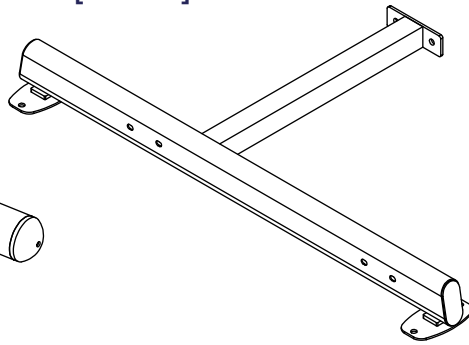
**L[1PCS]**



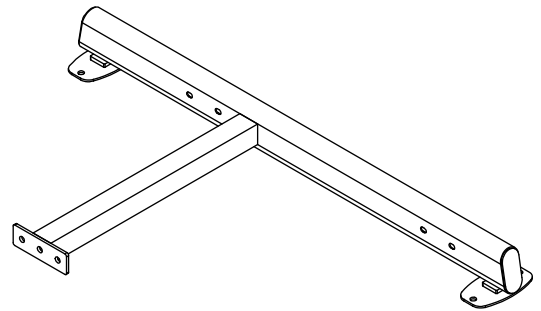
**N[4PCS]**



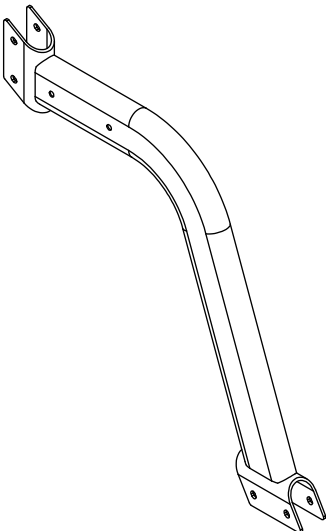
**F[1PCS]**



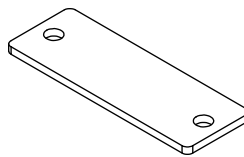
**I[1PCS]**



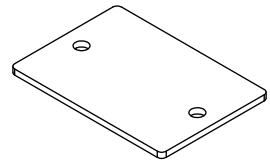
**M[2PCS]**



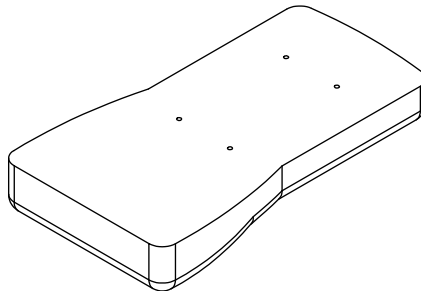
**O[4PCS]**  
8313-235



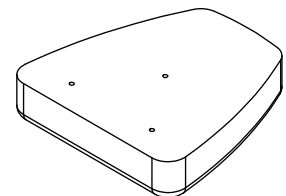
**P[2PCS]**  
8313-250

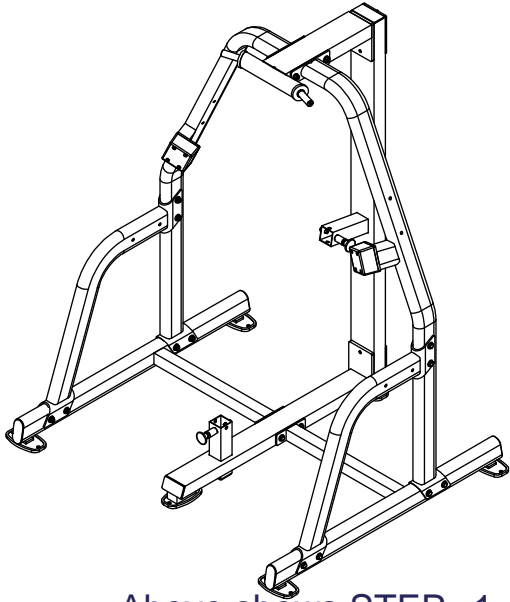


**R[1PCS]**  
9111-105

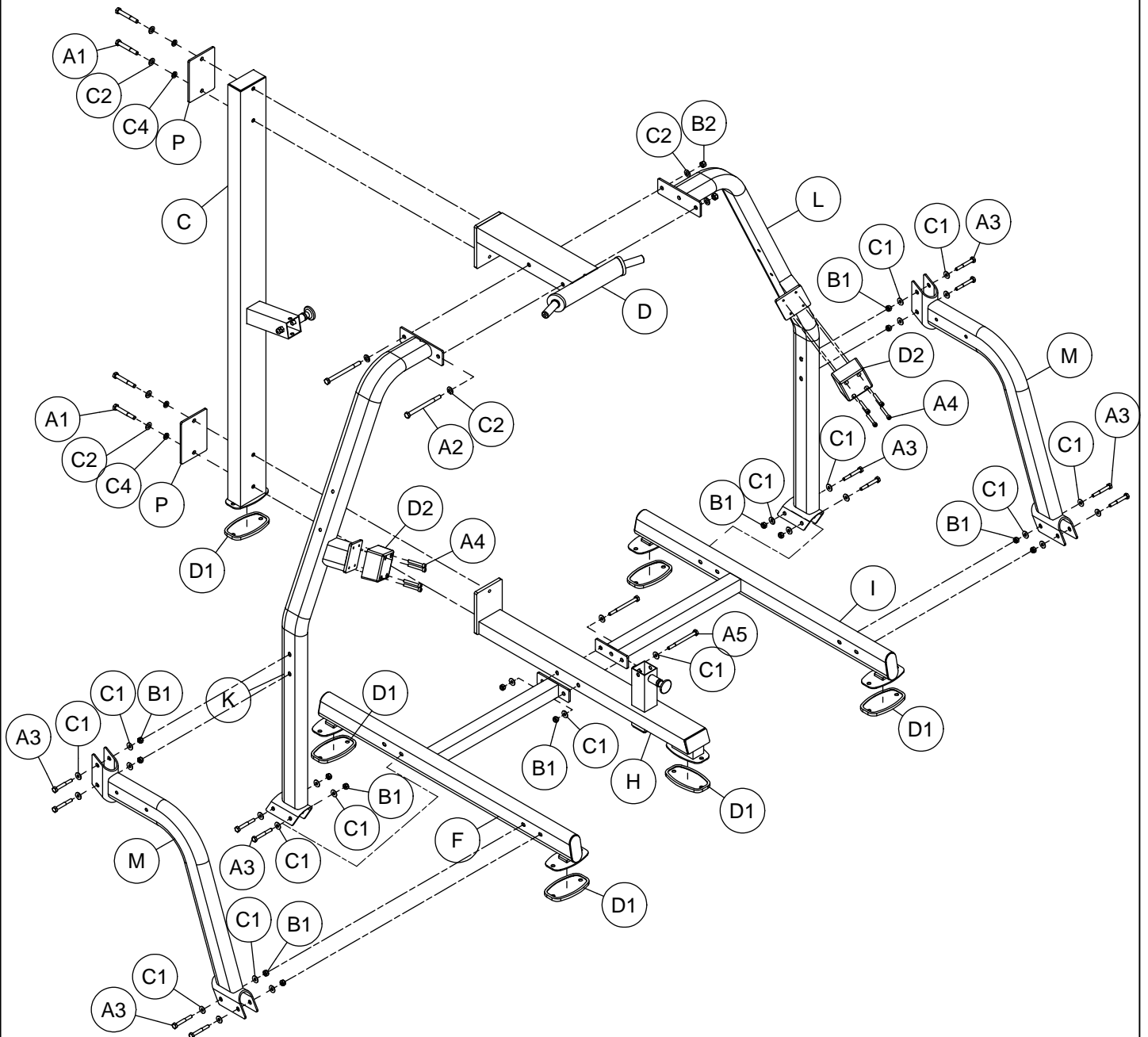


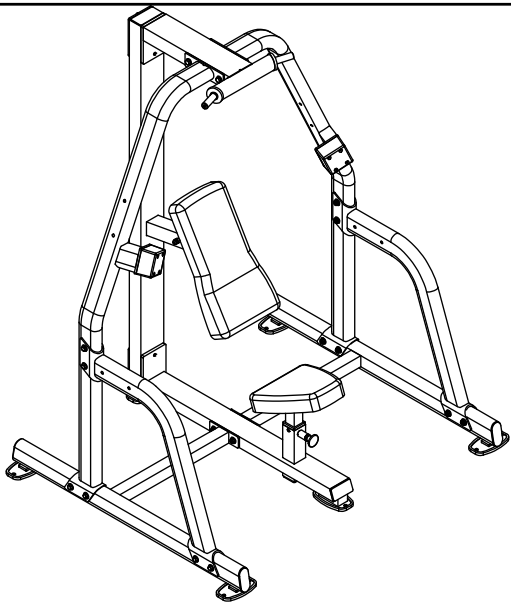
**S[1PCS]**  
9121-116



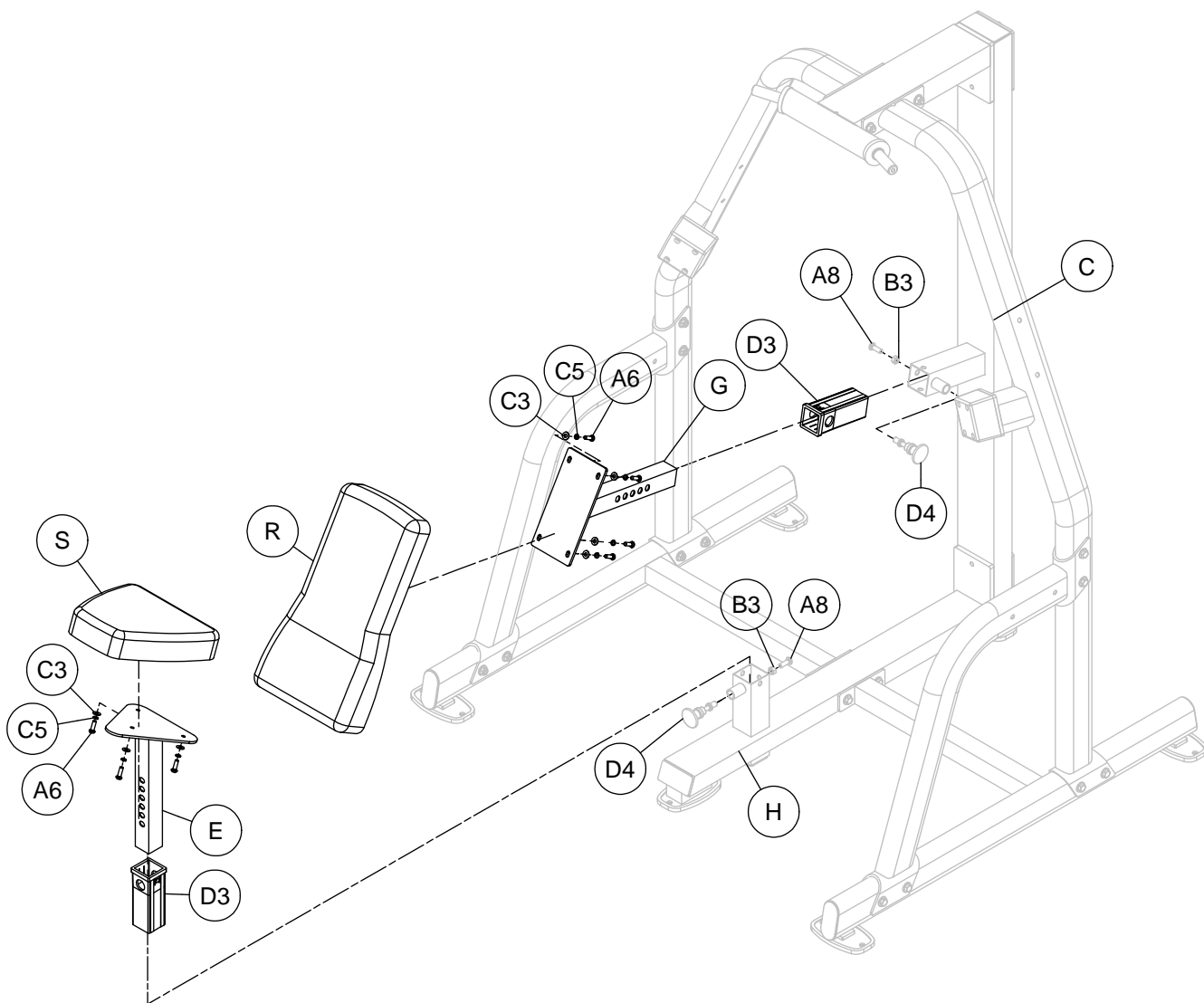


Above shows STEP 1 assembled and completed

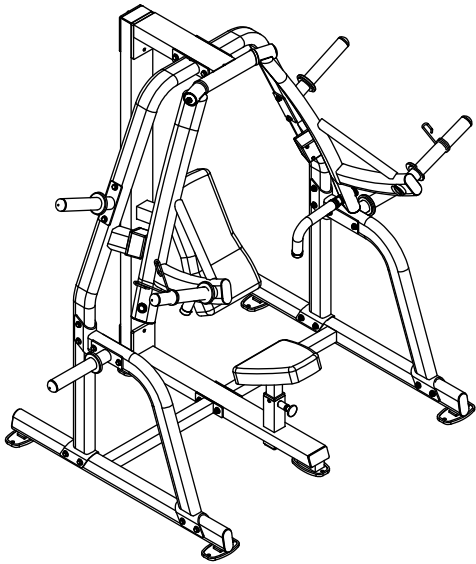




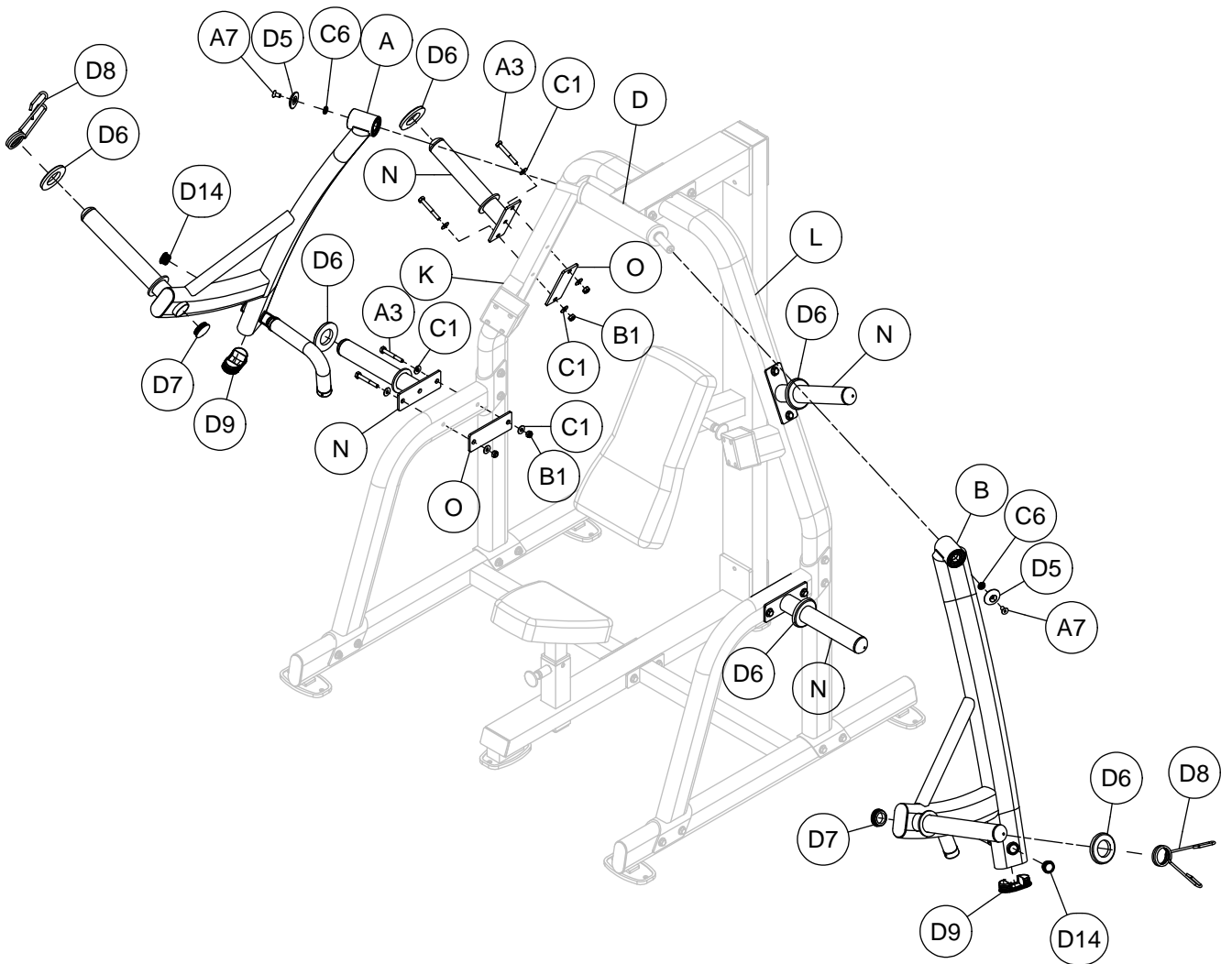
Above shows STEP 2 assembled and completed







Above shows STEP 3 assembled and completed



PSDP.1

